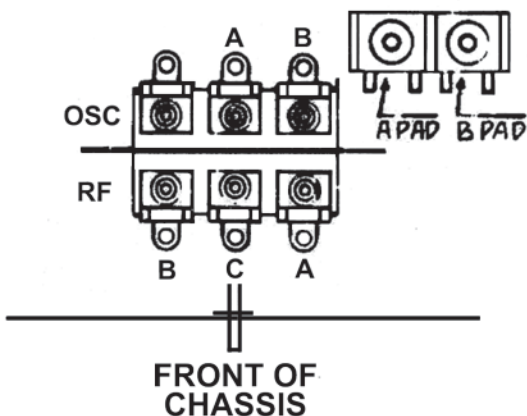


**TRIMMER LOCATIONS  
BOTTOM VIEW**



**ALIGNMENT INFORMATION**

Peak IF Transformers at 456 KC

Adjust A Band trimmers at 1600 KC

Adjust A Band Padder at 600 KC

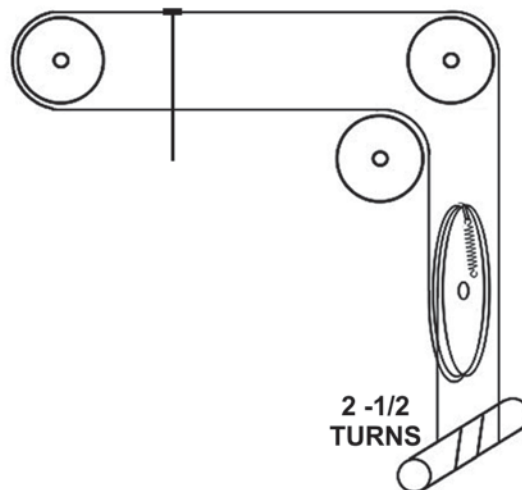
Adjust B Band Trimmers at 5 MC

Adjust B Band Padder at 1.7 MC

Adjust C Band Trimmer at 16 MC

Note: there is no C band OSC adjustment

**NOTE: Use care when removing chassis from cabinet to prevent damage to tone control switch.**



Voltages taken with no signal 1000 Ohms per Voltmeter				
TUBE	PLATE	SCREEN	CATH	G2
6A8 MIXER	215	140	6	180
6K7 1st I.F.	215	140	6	--
6K7 2nd I.F.	215	140	3	--
6P5 DETECTOR	0	0	0	--
6P5 1st AUDIO	50	--	0	--
6V6 OUTPUT	200	215	10	--
80 RECTIFIER	280	--	290	--
6P5 EYE CONTROL	20	--	0	--
6AF6 TUNING EYE	215	--	0	--

**MIDWEST  
CHASSIS 90 (9-40)**  
Tube & Adjustment  
locations, Voltage Chart  
Redrawn April 6, 2026

*Mike Simpson*