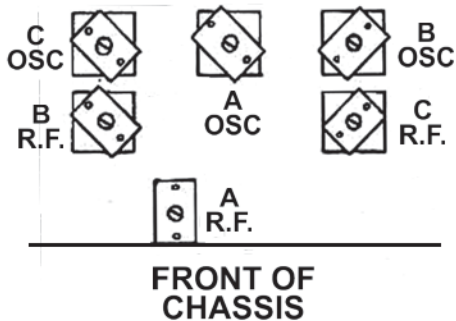


**TRIMMER LOCATIONS  
BOTTOM VIEW**



**ALIGNMENT INFORMATION**

Peak IF Transformers at 456 KC

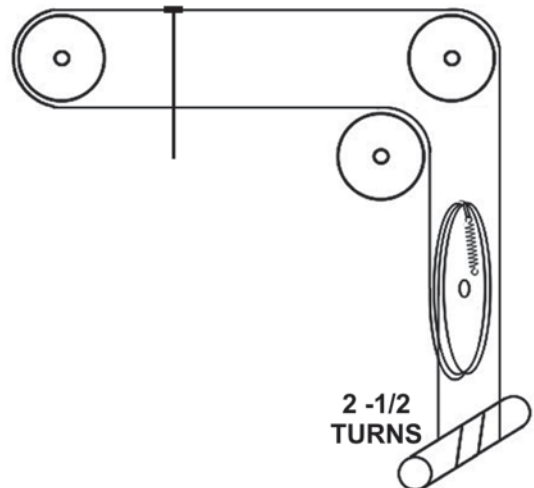
Adjust A Band trimmers at 1400 KC  
Adjust A Band Padder at 600 KC

Adjust B Band Trimmers at 7 MC

Adjust C Band Trimmers at 18 MC

Make all adjustments for maximum outout

**NOTE: USE CARE WHEN REMOVING  
CHASSIS FROM CABINET TO PREVENT  
DAMAGE TO TONE CONTROL SWITCH**



Voltages taken with no signal 1000 Ohms per Voltmeter				
TUBE	PLATE	SCREEN	CATH	G2
6A8 MIXER	215	140	6	180
6K7 1st I.F.	215	140	6	--
6K7 2nd I.F.	215	140	3	--
6P5 DETECTOR	0	0	0	--
6P5 1st AUDIO	50	--	0	--
6V6 OUTPUT	200	215	10	--
80 RECTIFIER	280	--	290	--
6P5 EYE CONTROL	20	--	0	--
6AF6 TUNING EYE	215	--	0	--

**MIDWEST  
CHASSIS 91 (9-41)**  
Tube & Adjustment  
locations, Voltage Chart  
Redrawn April 6, 2026